

CA 484 TR

CA 534 TR

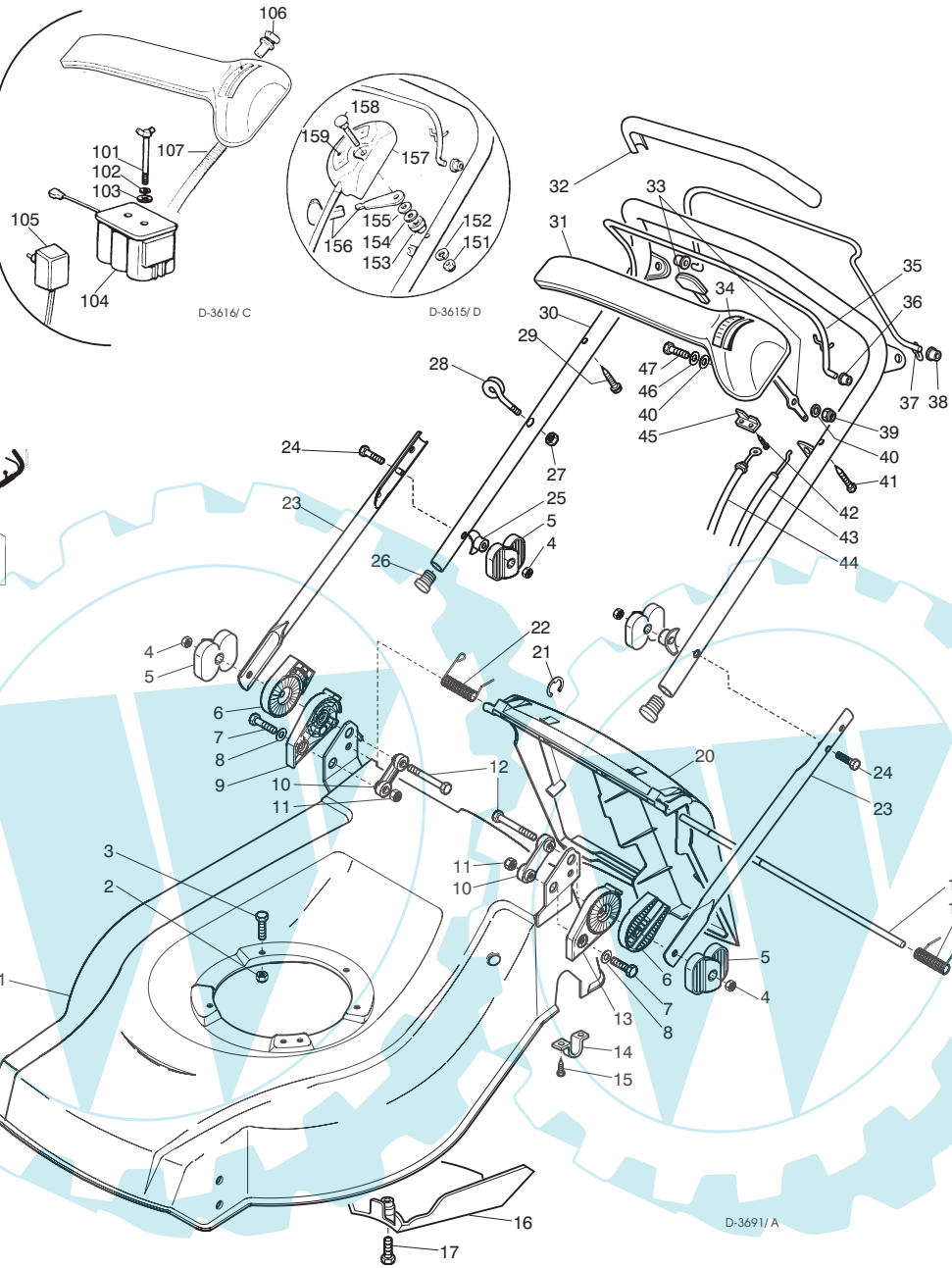
CA 534 TR-E

CHASSIS
MANICO
COMANDI
DOTAZIONE VITERIE

DECK
HANDLE
CONTROLS
SCREWS OUTFITS

CHÂSSIS
MANCHERON
COMMANDES
DOTATION VISSERIE

GEHÄUSE
HOLM
BETÄTIGUNGEN
SCRAUBENSATZ



SPARE PARTS CATALOGUE

GB

CATALOGO DELLE PARTI DI RICAMBIO

I

ERSATZTEILKATALOG

D

CATALOGUE DES PIÈCES DE RECHANGE

F

T-3691/A

Pos. Nr.	Codice Code Kodex	Q.tà Q.ty-Q.tè Menge	Descrizione	Description	Description	Beschreibung
1			CHASSIS	DECK	CHÂSSIS	GEHÄUSE
—	81001803/0	1	ROSSO CA 484 TR	RED CA 484 TR	ROUGE CA 484 TR	ROTES CA 484 TR
—	81001804/0	1	GIALLO CA484 TR	YELLOW CA 484 TR	JAUNE CA 484 TR	GELBES CA 484 TR
—	81001805/0	1	VERDE CA 484 TR	GREEN CA 484 TR	VERT CA 484 TR	GRÜNES CA 484 TR
—	81001853/0	1	ARANCIONE CA 484 TR	ORANGE CA 484 TR	ORANGE CA 484 TR	ORANGE CA 484 TR
—	81001809/0	1	ROSSO CA 534 TR	RED CA 534 TR	ROUGE CA 534 TR	ROTES CA 534 TR
—	81001810/0	1	GIALLO CA 534 TR	YELLOW CA 534 TR	JAUNE CA 534 TR	GELBES CA 534 TR
—	81001811/0	1	VERDE CA 534 TR	GREEN CA 534 TR	VERT CA 534 TR	GRÜNES CA 534 TR
—	81001855/0	1	ARANCIONE CA 534 TR	ORANGE CA 534 TR	ORANGE CA 534 TR	ORANGE CA 534 TR
—	81001812/0	1	ROSSO CA 534 TR-E	RED CA 534 TR-E	ROUGE CA 534 TR-E	ROTES CA 534 TR-E
—	81001813/0	1	GIALLO CA 534 TR-E	YELLOW CA 534 TR-E	JAUNE CA 534 TR-E	GELBES CA 534 TR-E
—	81001814/0	1	VERDE CA 534 TR-E	GREEN CA 534 TR-E	VERT CA 534 TR-E	GRÜNES CA 534 TR-E
—	81001856/0	1	ARANCIONE CA 534 TR-E	ORANGE CA 534 TR-E	ORANGE CA 534 TR-E	ORANGE CA 534 TR-E
2	12293201/0	3/2	DADO	NUT	ECROU	MUTTER
—	12155000/0	0/1	DADO	NUT	ECROU	MUTTER
3			VITE	SCREW	VIS	SCHRAUBE
—	12793700/0	3/2	(M8X30)	(M8X30)	(M8X30)	(M8X30)
—	12691800/0	0/1	(M8X60)	(M8X60)	(M8X60)	(M8X60)
4	12293202/0	4	DADO	NUT	ECROU	MUTTER
5	22399803/0	4	MANOPOLINA	KNOB	POIGNÉE	GRIF
6	22785081/0	2	SUPPORTO ESTERNO	EXTERNAL SUPPORT	SUPPORT EXTERNE	AUßERE HALTERUNG
7	12793701/0	2	VITE	SCREW	VIS	SCHRAUBE
8	12521350/0	2	RONDELLA	WASHER	RONDELLE	SCHEIBE

Pos. Nr.	Codice Code Kodex	Q.tà Q.ty-Q.tè Menge	Descrizione	Description	Description	Beschreibung
9	22785082/0	1	SUPPORTO INTERNO DX	R. INTERNAL SUPPORT	SUPPORT INTERNE DROIT	INNERE HALTERUNG RECHTS
10	22551575/0	2	PIASTRINA INTERNA	INSIDE PLAQUE	PLAQUETTE INTERNE	INNERE PLATTE
11	12155000/0	2	DADO	NUT	ECROU	MUTTER
12	12691810/0	2	VITE	SCREW	VIS	SCHRAUBE
13	22785083/1	1	SUPPORTO INTERNO SX	L. INTERNAL SUPPORT	SUPPORT INTERNE GAUCHE	INNERE HALTERUNG LINKS
14	22545152/0	2	PIASTRINA	PLAQUE	PLAQUETTE	PLATTE
15	12731350/0	4	VITE	SCREW	VIS	SCHRAUBE
16			CARTER	BELT PROTECTION	PROTECTION COURROIRE	RIEMENSCHUTZ
—	22060195/0	1	(CA 484 TR-E)	(CA 484 TR-E)	(CA 484 TR-E)	(CA 484 TR-E)
—	22060196/0	1	(CA 534 TR-E)	(CA 534 TR-E)	(CA 534 TR-E)	(CA 534 TR-E)
17	12727791/0	1	VITE	SCREW	VIS	SCHRAUBE
18	22450420/1	1	MOLLA SX	LEFT SPRING	RESSORT GAUCHE	LINKE FEDER
19	22517906/1	1	PERNO	PIN	PIVOT	BOLZEN
20	22600063/0	1	PARASASSI	STONE-GUARD	PARE-PIERRES	PRALLBLECH
21	12000930/0	1	ANELLO ELASTICO	SNAP RING	ANNEAU RESSORT	SPRENGRING
22	22450410/1	1	MOLLA DX	RIGHT SPRING	RESSORT DROITE	RECHTE FEDER
23	81006975/0	1	PARTE INF. MANICO	LOWER HANDLE	PARTIE INF. MANCHERON	UNTERHOLM
24	12819125/0	1	VITE	SCREW	VIS	SCHRAUBE
25	22680006/1	2	RONDELLA	WASHER	RONDELLE	SCHEIBE
26	18566112/0	2	PUNTALE	IN TINE	À L'HEURE	PÜNTLICH
27	12454330/0	1	DADO	NUT	ECROU	MUTTER
28	22430309/0	1	MOLLA GUIDA	GUIDE SPRING	RESSORT DE GUIDE	FEDER FÜHRER
29	22943006/0	1	VITE	SCREW	VIS	SCHRAUBE
30	81006977/0	1	PARTE SUP. MANICO	UPPER HANDLE	PARTIE SUP. MANCHERON	OBERHOLM
31			CRUSCOTTO	DASH BOARD	CONSOLE	KONSOLE
—	22120154/0	1	ROSSO	RED	ROUGE	ROTE
—	22120152/0	1	GIALLO	YELLOW	JAUNE	GELBE
—	22120158/0	1	NERO	BLACK	NOIRE	SCHWARZE
32			IMPUGNATURA MANICO	HANDGRIP	POIGNÉE	HANDGRIFF
—	22291050/0	1	NERA	BLACK	NOIRE	SCHWARZER
—	22291051/0	1	ROSSA	RED	ROUGE	RÖTER
—	22291052/0	1	GIALLA	YELLOW	JAUNE	GELBER
33	81007280/2	1	ASS. LEVA + MANOPOLINA	LEVER + KNOB ASS. Y	ENS. LEVIER + POIGNÉE	HEBEL + GRIFF SATZ
34			ETICHETTA (TECUMSEH-HONDA)	LABEL (TECUMSEH-HONDA)	ETIQUETTE (TECUMSEH-HONDA)	ETIKETTE (TECUMSEH-HONDA)
—	14356743/0	1	(B&S)	(B&S)	(B&S)	(B&S)
—	14356744/0	1	(B&S)	(B&S)	(B&S)	(B&S)
35	81003291/2	1	LEVA FRENO MOTORE	BRAKE LEVER	LEVIER FREIN MOTEUR	MOTORBREMSEHEBEL
36	22041966/0	1	BOCCOLA	BUSH	DOUILLE	BUCHSE
37	81003288/1	1	LEVA TRAZIONE	DRIVING LEVER	LEVIER TRACTION	ANTRIEBHEBEL
38	22041965/0	2	BOCCOLA	BUSH	DOUILLE	BUCHSE
39	12154510/0	1	DADO	NUT	ECROU	MUTTER
40	12523040/0	2	RONDELLA	WASHER	RONDELLE	SCHEIBE
41	12728460/0	1	VITE	SCREW	VIS	SCHRAUBE
42	12735105/0	2	VITE	SCREW	VIS	SCHRAUBE
43	81007160/0	1	CAVO ACCELERATORE	THROTTLE CABLE	CABLE ACCELERATEUR	BESCHLEUNIGER KABEL
44			CAVO FRENO MOTORE	THREAD MOTOR BRAKE	CABLE FREIN MOTEUR	MOTORBREMSEKABEL
—	81000629/1	1	CA 484 (TECUMSEH)	CA 484 (TECUMSEH)	CA 484 (TECUMSEH)	CA 484 (TECUMSEH)
—	81000631/0	1	CA 484 (QUANTUM XM)	CA 484 (QUANTUM XM)	CA 484 (QUANTUM XM)	CA 484 (QUANTUM XM)
—	81000625/0	1	CA 484 (QUATTRO)	CA 484 (QUATTRO)	CA 484 (QUATTRO)	CA 484 (QUATTRO)
—	81000641/0	1	CA 484 (HONDA GCV 135/ 160)	CA 484 (HONDA GCV 135/ 160)	CA 484 (HONDA GCV 135/ 160)	CA 484 (HONDA GCV 135/ 160)
—	81000642/0	1	CA 534 (QUANTUM XM)	CA 534 (QUANTUM XM)	CA 534 (QUANTUM XM)	CA 534 (QUANTUM XM)
—	81000643/0	1	CA 534 (QUATTRO)	CA 534 (QUATTRO)	CA 534 (QUATTRO)	CA 534 (QUATTRO)
—	81000644/0	1	CA 534 (TECUMSEH)	CA 534 (TECUMSEH)	CA 534 (TECUMSEH)	CA 534 (TECUMSEH)
—	81000640/0	1	CA 534 (HONDA GCV 135/ 160)	CA 534 (HONDA GCV 135/ 160)	CA 534 (HONDA GCV 135/ 160)	CA 534 (HONDA GCV 135/ 160)
45	22981467/0	1	PIASTRINA	PLAQUE	PLAQUETTE	PLATTE
46	12530060/0	1	RONDELLA ELASTICA	SPRING WASHER	RONDELLE ELASTIQUE	ELASTISCHE SCHEIBE
47	12791500/0	1	VITE	SCREW	VIS	SCHRAUBE
—	81008633/0		DOTAZIONE VITERIA	SCREWS OUTFIT	DOTATION VISSERIE	SCHRAUBEN SATZ
—	81008609/0		DOTAZIONE CRUSCOTTO	DASH-BOARD OUTFIT	DOTATION CONSOLE	KONSOLE SATZ

VARIANTI PER AVVIAMENTO ELETTRICO**PARTS FOR ELECTRIC START****COMPOSANTS POUR DÉMARRAGE ÉLECTRIQUE****ELEKTROSTART BESTANDTEILE**

T-3615/ C

101	22517855/0	2	PERNO	PIN	PIVOT	BOLZEN
102	12523000/0	2	RONDELLA	WASHER	RONDELLE	SCHEIBE
103	12540020/0	2	RONDELLA	WASHER	RONDELLE	SCHEIBE
104	18120050/0	1	BATTERIA	BATTERY	BATTERIE	BATTERIE
105	18204110/0	1	CARICA BATTERIA	BATTERY CHARGER	CHARGEUR DE BATTERIE	LADGERÄT
106	18450050/0	1	INTERRUTTORE	SWITCH	INTERRUPTEUR	SCHALTER
107	18204190/2	1	CAVO AVVIAMENTO	START CABLE	CABLE DÉMARRAGE	STARTKABEL

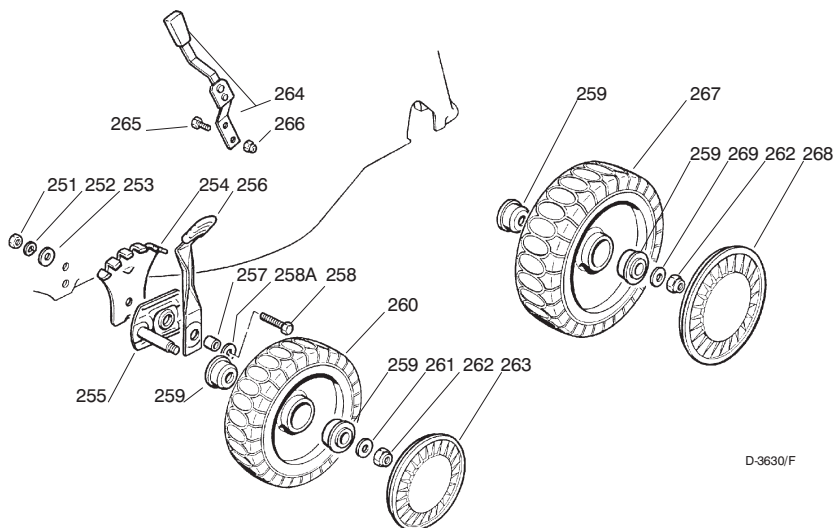
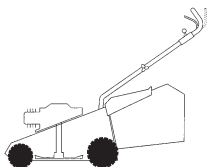
VARIANTE ACCELERATORE**THROTTLE VARIANTS****VARIANTES COMMANDE D'ACCELERATION****ÄNDERUNGEN AUF GASHEBEL**

T-3615/ D

151	12291000/0	1	DADO	NUT	ECROU	MUTTER
152	12581500/0	1	GROWER	GROWER	GROWER	FEDERRING
153	22171005/0	1	DISTANZIALE	SPACER	ENTRETOISE	DISTANZRING
154	12521360/0	1	RONDELLA	WASHER	RONDELLE	SCHEIBE
155	12508100/0	1	RONDELLA ELASTICA	SPRING WASHER	RONDELLE ELASTIQUE	ELASTISCHE SCHEIBE
156	81007279/1	1	ASS. LEVA+MANOPOLINA	LEVER+KNOB ASS.Y	ENS. LEVIER+POIGNEE	HEBEL+GRIFF SATZ
157	81007080/0	1	ASSIEME ACCELERATORE	TROTTLER UNIT ASS.Y	ENS. ACCELERATEUR	BESCHLEUNIGER SATZ
158	12815000/0	1	VITE	SCREW	VIS	SCHRAUBE
159			ETICHETTA	LABEL	ETIQUETTE	ETIKETTE
—	14356702/0	1	(TECUMSEH-HONDA)	(TECUMSEH-HONDA)	(TECUMSEH-HONDA)	(TECUMSEH-HONDA)
—	14356703/0	1	(B&S)	(B&S)	(B&S)	(B&S)

Pos. Nr.	Codice Code Kodex	Q.tà Q.ty-Q.tè Menge	Descrizione	Description	Description	Beschreibung
----------	-------------------	----------------------	-------------	-------------	-------------	--------------

RUOTE E REGOLAZIONE
WHEELS AND HEIGHT ADJUSTING
ROUES ET REGLAGE HAUTER DE COUPE
RÄDER UND SCHNITTHÖHEVERSTELLUNG

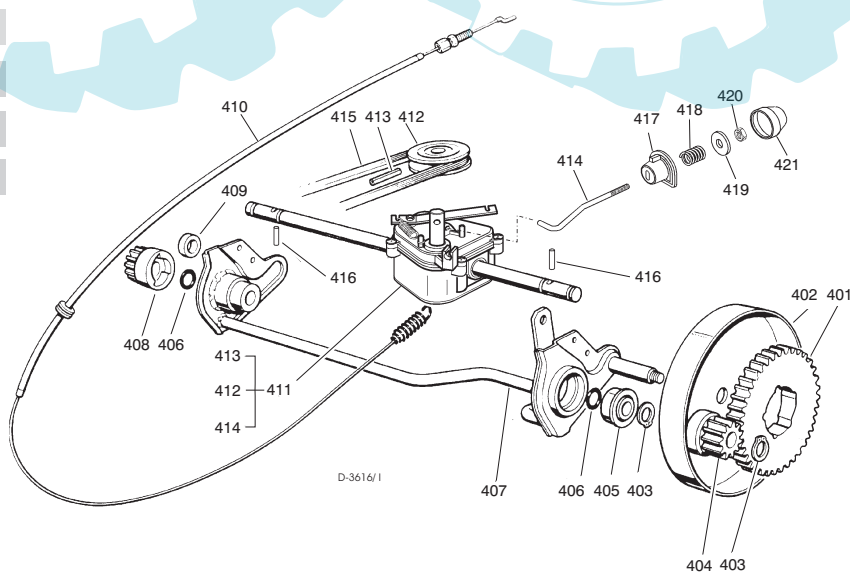
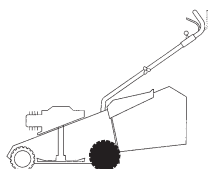


D-3630/F

T-3691/F

251	12293200/0	2	DADO	NUT	ECROU	MUTTER
252	12583500/0	2	GROWER	GROWER	GROWER	FEDERRING
253	12523070/0	2	RONDELLA	WASHER	RONDELLE	SCHEIBE
254	22735547/0	2	SETTORE REGOLAZIONE	ADJUSTMENT SECTOR	SECTEUR REGLAGE	VERSTELLUNGSEKTOR
255	81005082/0	2	SUPPORTO RUOTA	WHEEL SUPPORT	SUPPORT ROUE	RADHALTER
256	81003285/1	2	LEVA REGOLAZIONE	ADJUSTMENT LEVER	LEVIER REGLAGE	VERSTELLUNGHEBEL
257	22171001/0	2	DISTANZIALE	SPACER	ENTRETOISE	DISTANZRING
258	12793701/0	2	VITE	SCREW	VIS	SCHRAUDE
258A	12521350/0	2	RONDELLA	WASHER	RONDELLE	SCHEIBE
259	22122200/0	8	CUSCINETTO	BEARING	ROULEMENT	KUGELLAGER
260	81007317/0	2	RUOTA SCOLPITA Ø 170	KNOBBLY WHEEL Ø 170	ROUE SCULPTEE Ø 170	RAD M. STOLLENPR. Ø 170
261	12521350/0	2	RONDELLA	WASHER	RONDELLE	SCHEIBE
262	12155000/0	4	DADO	NUT	ECROU	MUTTER
263	—	—	COPRIMOZZO	HUB CAP	COUVRE-MOYEU	RADKAPPE
—	22110282/0	2	BIANCO	WHITE	BLANC	WEIÙE
—	22110288/0	2	GIALLO	YELLOW	JAUNE	GELBE
—	22110290/0	2	ROSSO	RED	ROUGE	ROTE
—	22110300/0	2	GRIGIO	GREY	GRIS	GRAU
264	81003279/2	1	LEVA REGOLAZIONE	ADJUSTMENT LEVER	LEVIER REGLAGE	VERSTELLUNGHEBEL
265	12789000/0	2	VITE	SCREW	VIS	SCHRAUBE
266	12154330/0	2	DADO	NUT	ECROU	MUTTER
267	81007318/1	2	RUOTA SCOLPITA Ø 210	KNOBBLY WHEEL Ø 210	ROUE SCULPTEE Ø 210	RAD M. STOLLENPR. Ø 210
268	—	—	COPRIMOZZO	HUB CAP	COUVRE-MOYEU	RADKAPPE
—	22110281/0	2	BIANCO	WHITE	BLANC	WEIÙE
—	22110287/0	2	GIALLO	YELLOW	JAUNE	GELBE
—	22110289/0	2	ROSSO	RED	ROUGE	ROTE
—	22110301/0	2	GRIGIO	GREY	GRIS	GRAU
269	12369500/0	2	DISCO ELASTICO	ELASTIC DISK	RONDELLE ELASTIQUE	SCHEIBE

GRUPPO TRAZIONE
REAR DRIVE
GROUPE TRACTION
ANTRIEB



D-3616/I

T-3691/I

401	22120105/1	2	CORONA	RING GEAR	COURONNE	KRANZ
402	81006846/0	2	PROTEZIONE RUOTE	WHEEL GUARD	PROTECTION ROUE	RÄDERSCHUTZ
403	12608600/0	4	SEEGER	SEEGER	SEEGER	SEEGER
404	22570120/0	1	PIGNONE SINISTRO	LEFT PINION	PIGNON GAUCHE	LINKES RITZEL
405	22122200/0	2	CUSCINETTO	BEARING	COUSSINET	LAGER

Pos. Nr.	Codice Code Kodex	Q.tà Q.ty-Q.tè Menge	Descrizione	Description	Description	Beschreibung
406	12019900/0	2	ANELLO OR	OR RING	BAGUE OR	RING OR
407	81001252/1	1	ASSE RUOTE POSTERIORE	REAR WHEELS AXLE	AXE ROUES ARRIERE	HINTERRADACHSE
408	22570110/0	1	PIGNONE DESTRO	RIGHT PINION	PIGNON DROITE	RECHTES RITZEL
409	22170800/0	1	DISTANZIALE	SPACER	ENTRETOISE	DISTANZRING
410	81001143/0	1	ASS. COMANDO TRAZIONE	REAR DRIVE ASS.Y	ENS. COMMANDE TRACTION	ANTRIEBKABEL
411	81003059/0	1	ASS. GRUPPO TRAZIONE (PLASTICA)	GEAR BOX ASS.Y (PLASTIC)	ENS. GROUPE TRACTION (PLASTIQUE)	ANTRIEBSATZ (KUNSTSTOFF)
—	81003060/1	1	(ALLUMINIO)	(ALUMINIUM)	(ALUMINIUM)	(ALUMINIUM)
412	22601904/0	1	PULEGGIA 4 KM/ H	PULLEY 4 KM/ H	POULIE 4 KM/ H	RIEMENSCHLEIBE 4 KM/ H
413	12645705/0	1	SPINA	PIN	GOUPILLE	STIFT
414	22033280/0	1	ASTA REGOLAZIONE	ADJUSTMENT ROD	TIGE REGLAGE	VERSTELLUNGSTANGE
415	35063800/0	1	CINGHIA	BELT	COURROIE	RIEMEN
—	35063902/0	1	Z 27 (CA 484 TR-E)	Z 27 (CA 484 TR-E)	Z 27 (CA 484 TR-E)	Z 27 (CA 484 TR-E)
—	35063902/0	1	Z 29.5 (CA 534 TR-E)	Z 29.5 (CA 534 TR-E)	Z 29.5 (CA 534 TR-E)	Z 29.5 (CA 534 TR-E)
416	22753000/0	2	SPINA	PIN	GOUPILLE	STIFT
417	22041957/0	1	BUSSOLA	BUSH	DOUILLE	BUCHSE
418	22450063/0	1	MOLLA	SPRING	RESSORT	FEDER
419	22680009/0	1	RONDELLA	WASHER	RONDELLE	SCHLEIBE
420	12154510/0	1	DADO	NUT	ECROU	MUTTER
421	22110230/0	1	TAPPO	CAP	BOUCHON	GUMMISTOPFEN

T-3632/ I

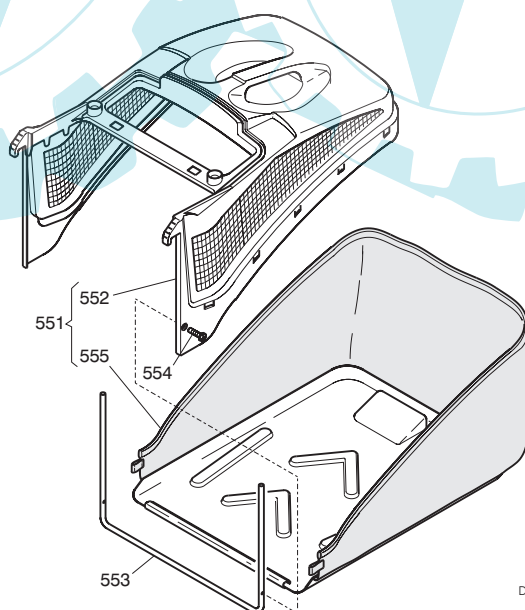
- GRUPPO COLTELLO**
- BLADE ASS.Y**
- GROUPE LAME**
- MESSERSATZ**



T-3624/ M

501	22465607/0	1	MOZZO CON PULEGGIA	HUB WITH PULLEY	MOYEU AVEC POULIE	NABE MIT SCHEIBE
502	81004346/2	1	COLTELLO	BLADE	LAME	MESSER
—	81004397/0	1	STANDARD 46 cm	STANDARD 46 cm	STANDARD 46 cm	STANDARD 46 cm
—	81004381/0	1	ALETTATO 46 cm	WINGED 46 cm	AILETTÉE 46 cm	FLÜGEL 46 cm
—	81004381/0	1	STANDARD 51 cm	STANDARD 51 cm	STANDARD 51 cm	STANDARD 51 cm
—	81004398/0	1	ALETTATO 51 cm	WINGED 51 cm	AILETTÉE 51 cm	FLÜGEL 51 cm
503	22160400/0	1	RONDELLA ELASTICA	SPRING WASHER	RONDELLE ELASTIQUE	ELASTISCHE SCHEIBE
504	12523080/0	1	RONDELLA	WASHER	RONDELLE	SCHLEIBE
505	12735698/0	1	VITE	SCREW	VIS	SCHRAUBE
506	12139100/0	1	LINGUETTA	FEATHER	CLAVETTE	KEIL

- SACCO RACCOGLIERBA**
- GRASS-CATCHER**
- BAC DE RAMASSAGE**
- GRASFANGKORB**



T-3689/ N

551	91000010/0	1	SACCO COMPLETO	COMPLETE GRASS-BOX	SAC COMPLET	KOMPLETTER KORB
552	22486086/0	1	PORTE SUP. SACCO	UPPER GRASS BOX	PARTIE SUP. SAC	OBERKORB
553	22608523/1	1	RINFORZO INF.	DOLON REINFORCEMENT	RÉNFORCEMENT INFÉRIEUR	UNTER STÜTZE
554	12728445/0	1	VITE	SCREW	VIS	SCHRAUBE
555	81002180/0	1	TELA SACCO	FABRIC BOX	TOILE POUR SAC	TUCK FÜR SACK